



# MEGA



# MEGA

# +1

## with an extra large format

Sinks under the SBS system can be **up to 20cm wider.**



# MEGA

# +2

## Double basin in large formats

With the same SBS quality standards, the possibilities are extended by combining different **models in a single box.**



### MEGA 90

60+30  
50+40  
45+45

### MEGA 80

50+30  
40+40

### MEGA 70

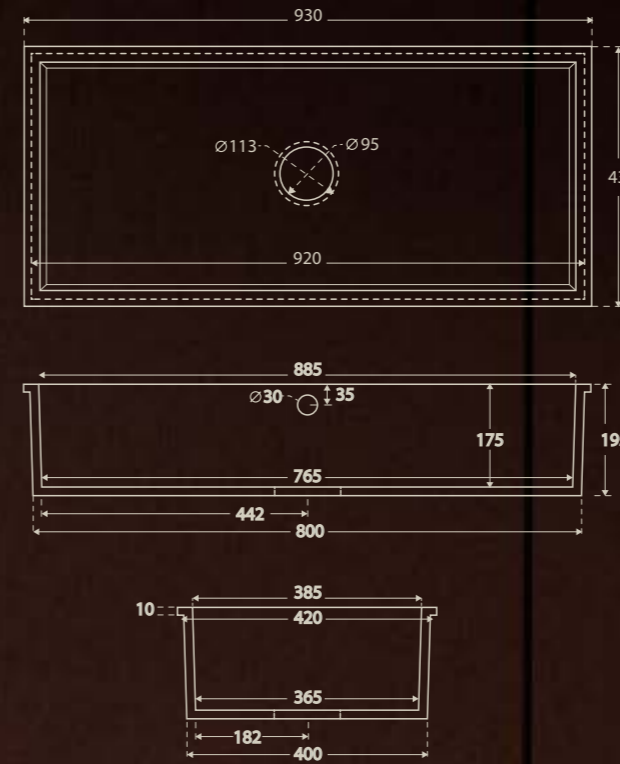
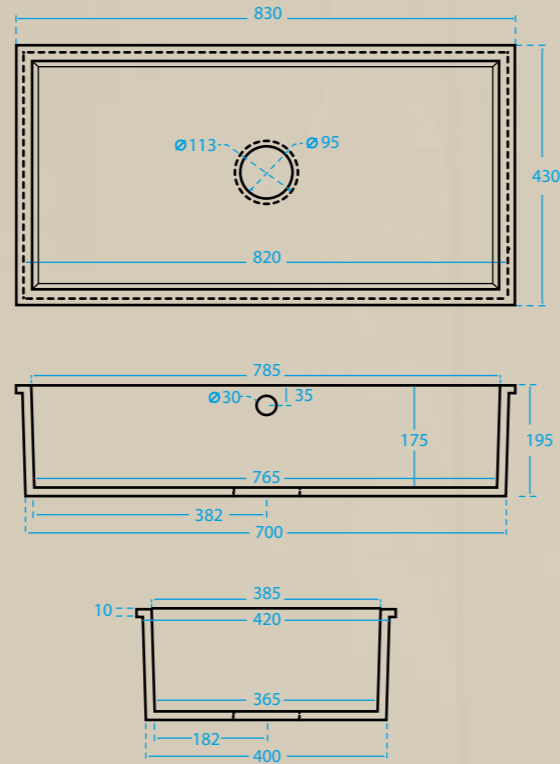
40+30

# MEGA

# +1

## MEGA|80

*\*For furniture of 90cm or higher.*



## MEGA|90

*\*For furniture of 100cm or higher.*

# Harmonise your kitchen

The perfect balance between solidity and design is extended to an even larger format, for a comfortable and harmonious everyday kitchen experience.

*If the “small details make the difference”  
imagine the SUPERLATIVE.*



# MEGA

# + 2

*Life in the kitchen is often very intense and being able to enjoy it comfortably now goes hand in hand with design.*

We think about the durability of our sinks and therefore we reinforce the contact areas.

Choose the distribution you are most interested in.

*Quality.*

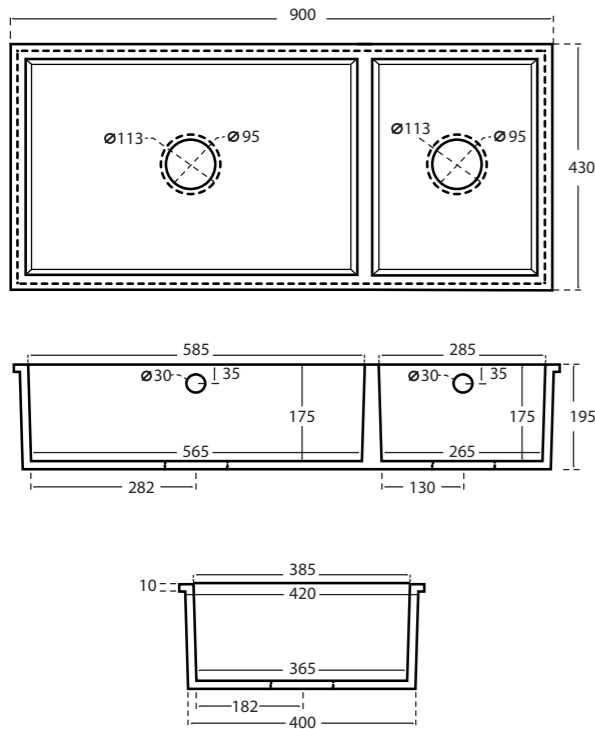


# Ready to live your kitchen?

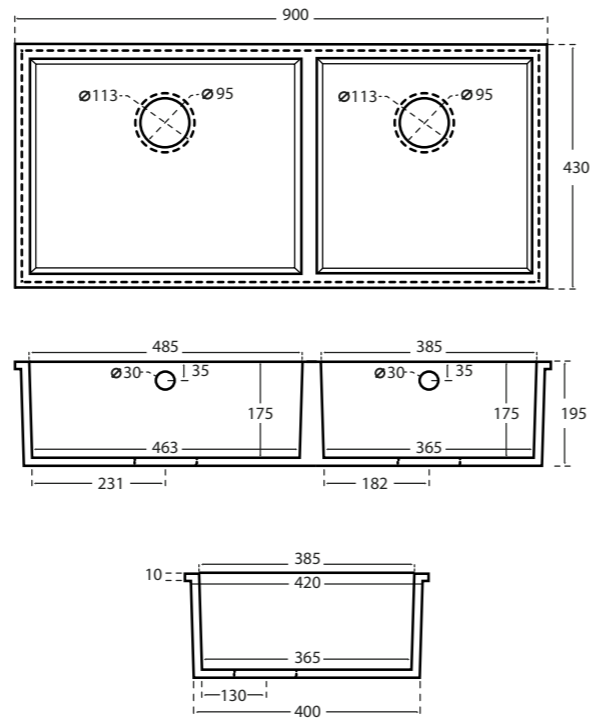


# MEGA|90

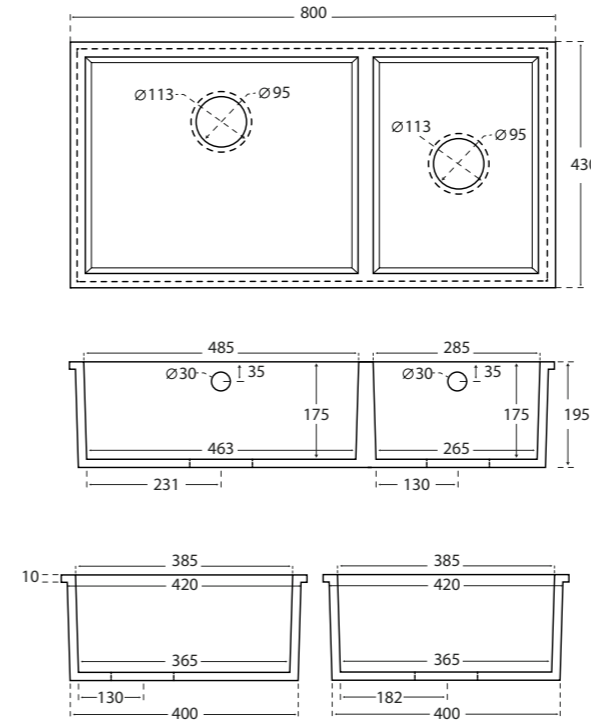
60 + 30



50 + 40

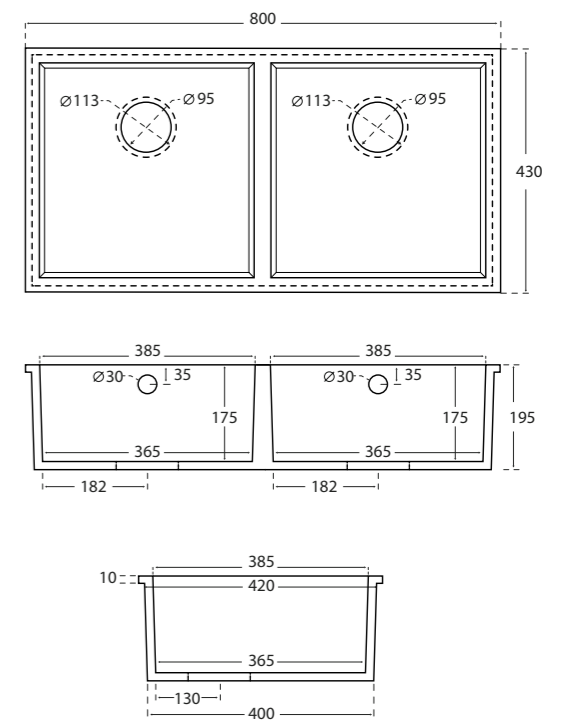


50 + 30

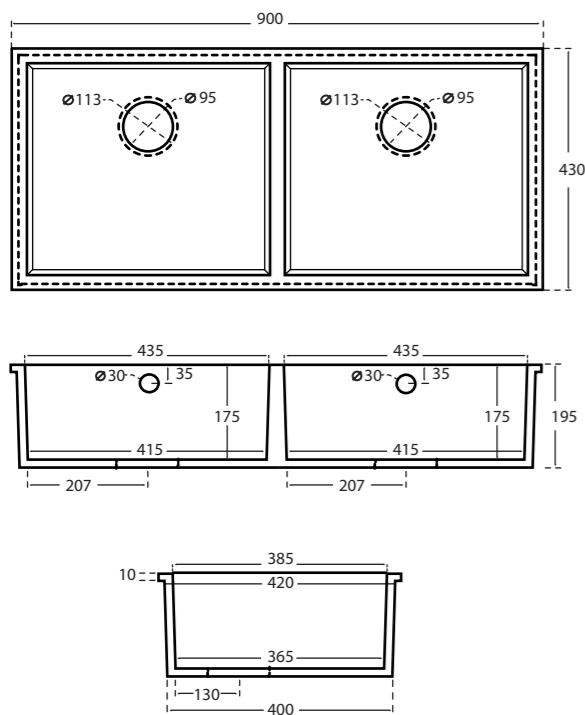


# MEGA|80

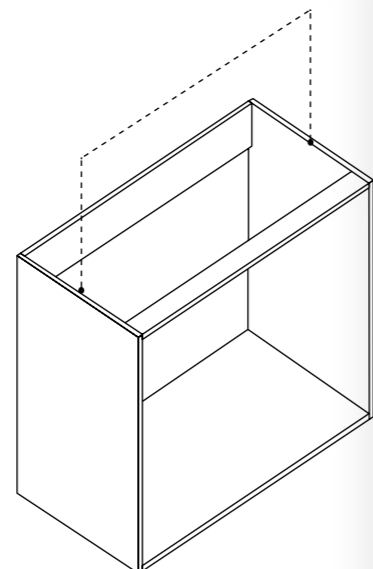
40 + 40



45 + 45



*\*For furniture of 100cm or higher.*



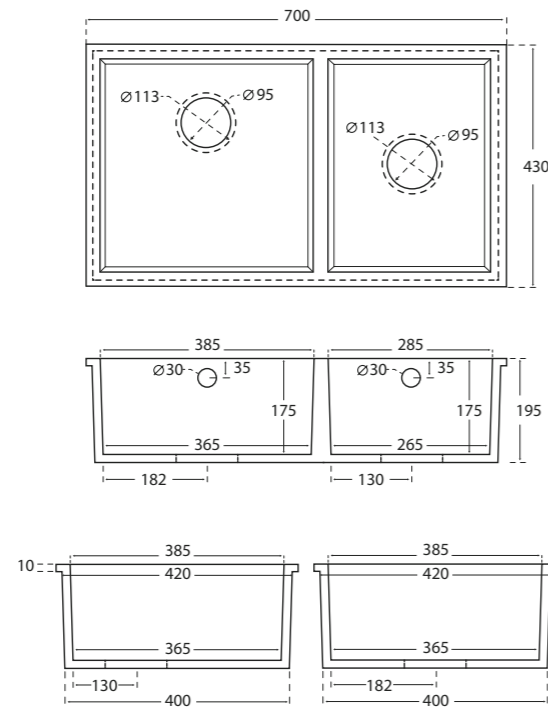
50 + 40



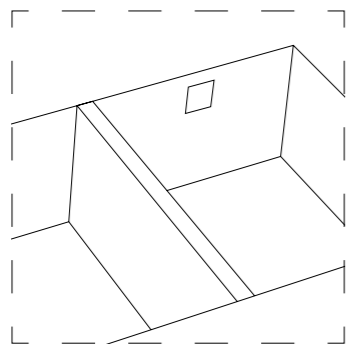
# MEGA|70

*\*For furniture of 80cm or higher.*

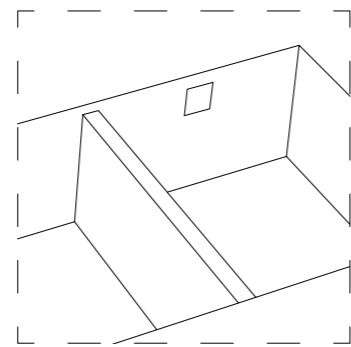
**40 + 30**



## Finishes for reinforcement



*Countertop height*



*Overflow height*

# All types of stones NATURALS | SYNTHETICS

*Our manufacturing system allows us to create sinks in any stone slab you can imagine.*

*Design it, it's possible.*

